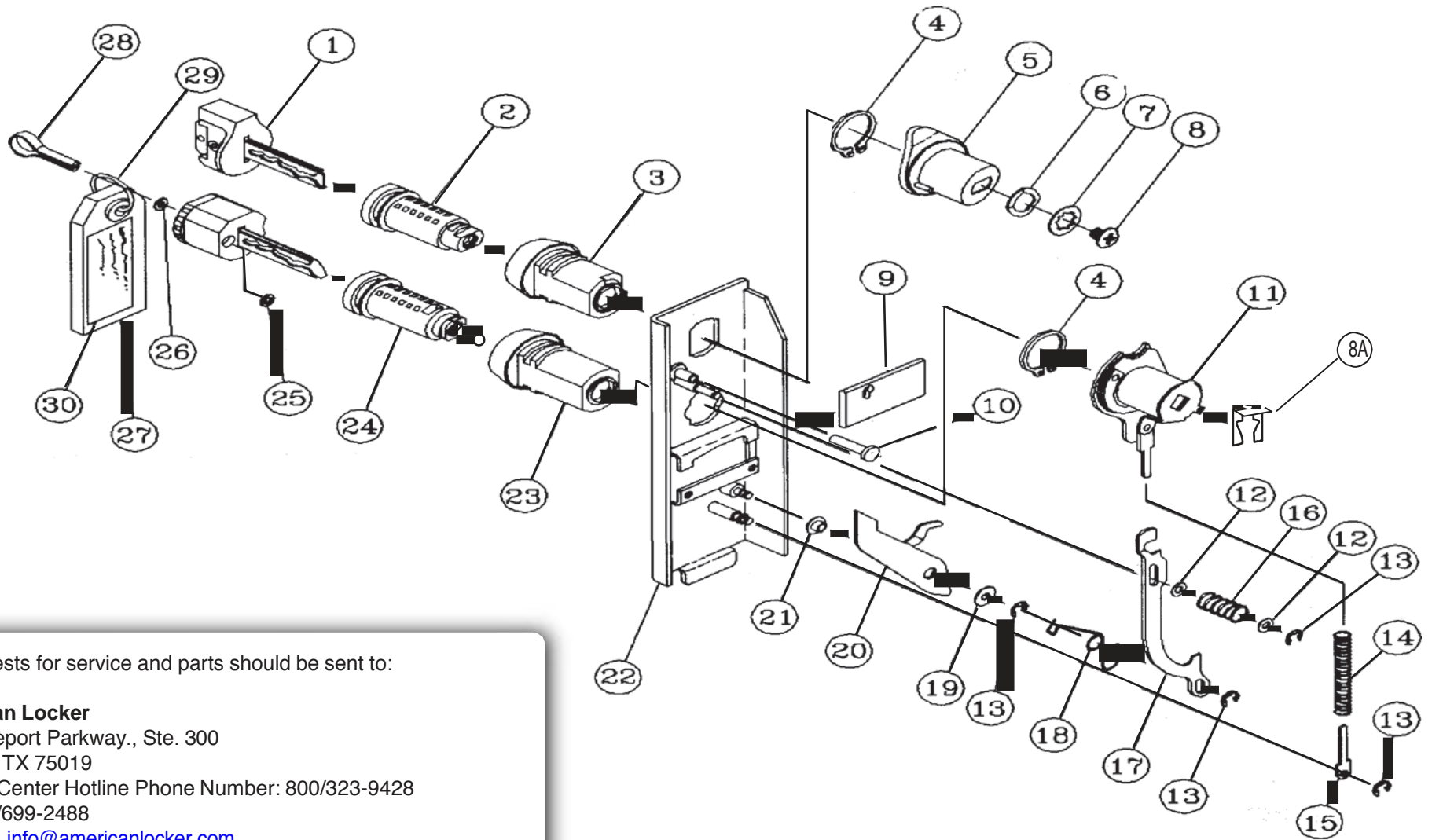


45BP Postal Lock Assembly Price List

| Item | Part Number | Description | Price |
|----------|----------------|--|---------|
| 1 | AL-8036-802 | Carrier control key (2 pack) *Specify Code* | \$35.00 |
| 2 | AL-8030-800 | Control cylinder | \$15.00 |
| 3 | AL-8034-800 | Control cylinder housing | \$5.00 |
| 4 | AL-9436-000 | Bowed retainer ring | \$1.00 |
| 5 | AL-9426-801 | Control bolt cap assembly | \$4.00 |
| 6 | AL-9439-001 | Control spring wave washer | \$1.00 |
| 7 | AL-9441-001 | Lock washer | \$1.00 |
| 8 | AL-9440-000 | Control lock screw | \$1.00 |
| 8A | AL-9437-001 | Cylinder retainer clip (Pkg. of 25) | \$15.00 |
| 9 | AL-9433-000 | Lock bolt | \$2.00 |
| 10 | AL-8556-000 | Release pin | \$2.00 |
| 11 | AL-9506-800 | Cylinder cap assembly | \$12.00 |
| 12 | AL-9779-000 | Flat washer | \$1.00 |
| 13 | AL-9435-000 | "E" Ring (Pkg. of 50) | \$10.00 |
| 14 | AL-9446-000 | Retarding spring | \$1.00 |
| 15 | AL-9424-000 | Spring guide | \$1.00 |
| 16 | AL-8558-000 | Release spring | \$1.00 |
| 17 | AL-8559-000 | Slide plate/Postal bar | \$5.00 |
| 18 | AL-9438-003 | Latch Spring/Pawl spring | \$1.00 |
| 19 | AL-9714-000 | Latch pawl washer | \$1.00 |
| 20 | AL-9434-001 | Latch pawl (no tab)/Coin feeler gauge | \$2.00 |
| 21 | AL-9445-000 | Latch pawl bushing | \$1.00 |
| 22 | AL-8551-800 | Front plate assembly | \$18.00 |
| 23 | AL-8012-800 | Patron housing | \$5.00 |
| 24 | AL-8011-801 | Patron cylinder and key | \$25.00 |
| | AL-8011-801-11 | Patron cylinder and key w/ cotter pin attached | \$26.00 |
| | AL-8011-801-09 | Patron cylinder and key w/ postal tag assembly | \$27.50 |
| 25 | AL-9288-001 | Speed nut fastener (Pkg. of 50) | \$10.00 |
| 26 | AL-9289-001 | Washer (Pkg. of 50) | \$6.00 |
| 27 | 5-78 | Postal tag with insert | \$7.00 |
| 28 | AL-9287-002 | Cotter pin (Pkg. of 25) | \$10.00 |
| 30 | AL-7774-000 | Postal tag insert (Pkg. of 25) | \$8.00 |
| Assembly | 45BP-09 45BP | Postal Lock w/ tag | \$75.00 |



45BP Postal Lock Assembly



All requests for service and parts should be sent to:

American Locker

700 Freeport Parkway., Ste. 300

Coppell, TX 75019

Service Center Hotline Phone Number: 800/323-9428

Fax 716/699-2488

E-mail: info@americanlocker.com

**PRICES SUBJECT TO CHANGE WITHOUT PRIOR NOTICE
AND F.O.B. SHIPPING POINT**

Minimum Billing \$F€€00

www.americanlocker.com

