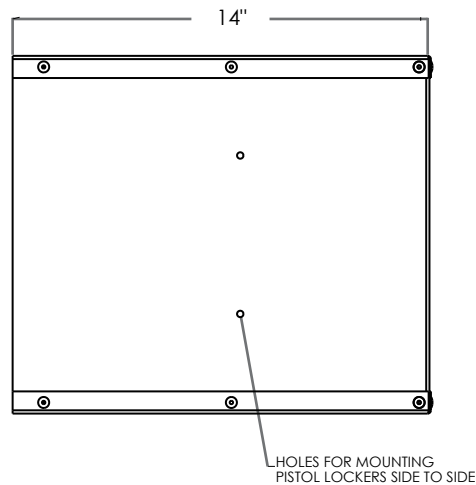


INDENTED PHOTO ETCHED DECAL.
CUSTOM ENGRAVING AVAILABLE.



HOLES FOR MOUNTING
PISTOL LOCKERS SIDE TO SIDE.

Pistol Locker Keyless	H x W x D Dimensions
Overall	12-1/8" x 13-7/8 x 14
Compartment	5-1/8" x 6 x 13-1/2
Weight	14.5 lbs

Pistol Locker - Keyless

MOUNTING: Desktop mounting side to side, or/and vertical mounting.

LOCKS: Preinstalled die cast aluminum mechanical lock with 1,000 possible combination codes. Two master keys provided to open locks and reset user codes.

LOCKER MATERIAL: Case fabricated of all aluminum extrusion. Doors and door tracks are anodized extruded aluminum with a minimum thickness of 1/8" swing on continuous hinge.

FINISH: Powder coat finished case in Marine Blue. Optional colors available.

FABRICATION: Lockers are shipped fully factory assembled. The design allows modules to be grouped together into a multiple-unit installation. Units may be flush mounted by installing in wall between studs.

GAUGES:

- Skin: .050" 5052-H-32 aluminum.
- Shelves: .032" 5052-H-32 aluminum.
- Uprights: .032" 5052-H-32 aluminum.
- Doors: .100" 6063 extruded aluminum.
- All aluminum extrusion is 6063.

OPTIONS:

- 3/4" H Permanent engraving.

Pistol Locker- Keyless

MODEL:	Pistol Locker Keyless		
DWG#	MINI004	SCALE:	
DATE:	7/27/07	BY:	er