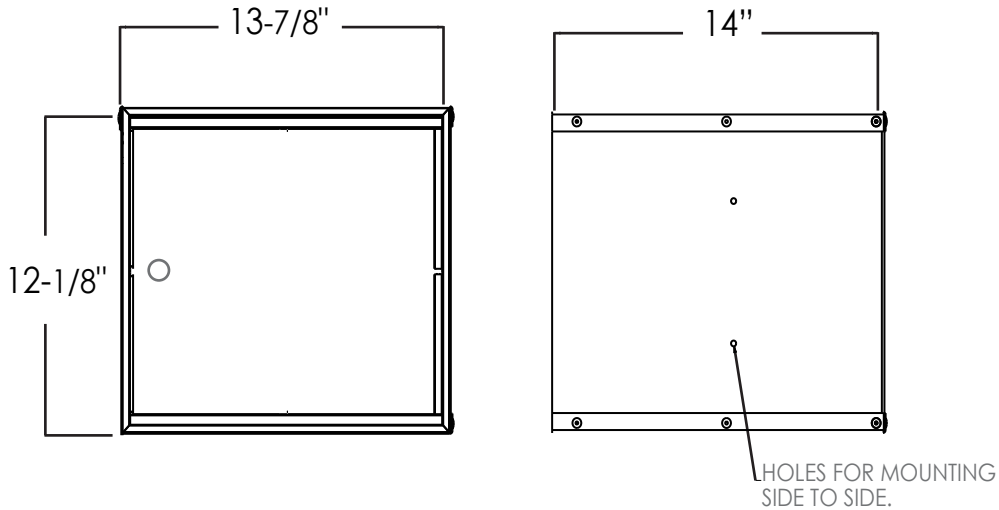


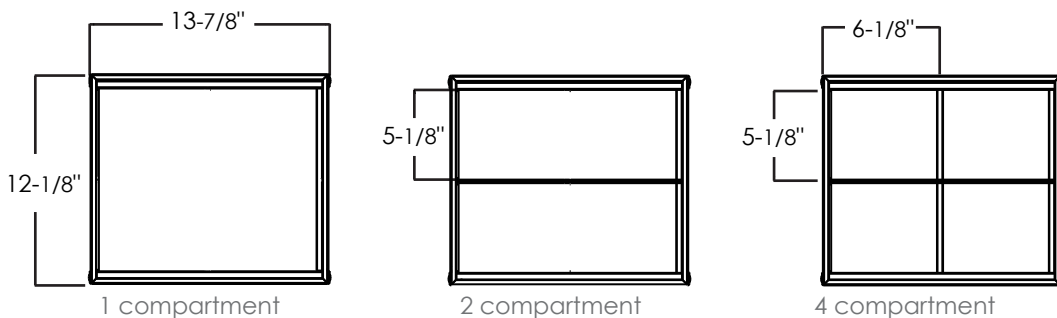
Mini Lok All - Keyed

Exterior



Mini-Lok All Keyed	Dimensions
Overall	12-1/8" x 13-7/8 x 14
1-Compartment	12-1/8" x 13-7/8 x 14
2-Compartment	5-1/8" x 13-7/8 x 14
4-Compartment	5-1/8" x 6-1/8 x 14

Interior Options



MATERIAL: Case fabricated of all aluminum extrusion and material finished in a powder coat finished case. Doors and door tracks are anodized extruded aluminum with a minimum thickness of 1/8" swing on continuous hinge.

LOCK: Security type lock with stainless steel assembly. One key is provided per compartment and two for the access door. ALSS key locking system is proprietary system to protect against unauthorized duplications.

FABRICATION: Lockers are shipped fully factory assembled. The design allows modules to be grouped together into a multiple-unit installation. Units may be flush mounted by installing in wall between studs.

- Skin: .050" 5052-H-32 Aluminum.
- Shelves: .032" 5052-H-32 Aluminum.
- Uprights: .032" 5052-H-32 Aluminum.
- Doors: .100" 6063 Extruded Aluminum.
- Aluminum extrusion: 6063 Aluminum.

OPTIONS:

- 3/4" H Permanent engraving.

Mini Lok All Series

MODEL	Mini Lok All Keyed		
MAT:	Aluminum Powder Coat		
DWG#		SCALE:	
DATE:	10/29/07	BY:	eg