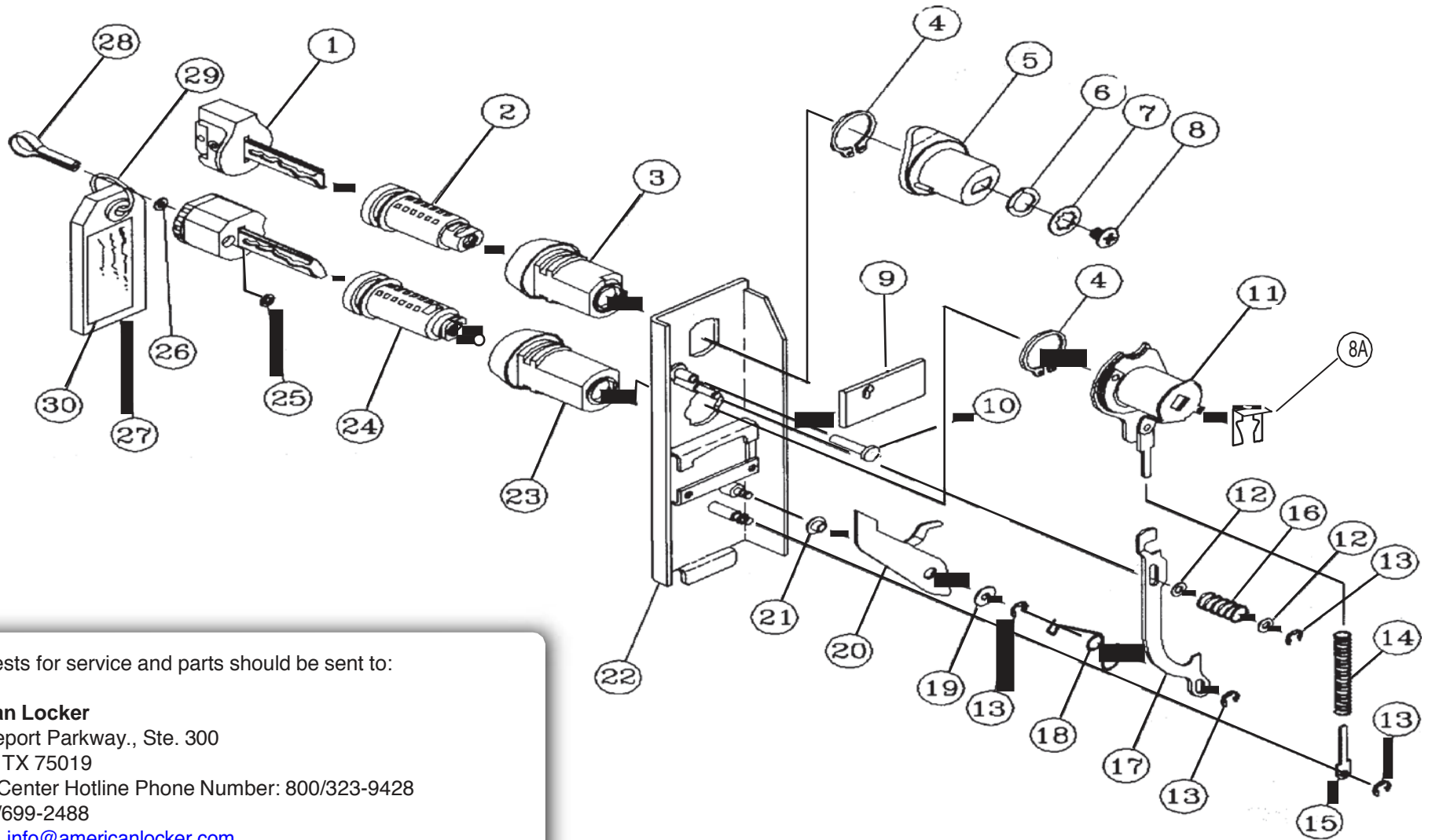


# 45BP Postal Lock Assembly Price List

Item	Part Number	Description	Price
1	AL-8036-802	Carrier control key (2 pack) *Specify Code*	\$35.00
2	AL-8030-800	Control cylinder	\$15.00
3	AL-8034-800	Control cylinder housing	\$5.00
4	AL-9436-000	Bowed retainer ring	\$1.00
5	AL-9426-801	Control bolt cap assembly	\$4.00
6	AL-9439-001	Control spring wave washer	\$1.00
7	AL-9441-001	Lock washer	\$1.00
8	AL-9440-000	Control lock screw	\$1.00
8A	AL-9437-001	Cylinder retainer clip (Pkg. of 25)	\$15.00
9	AL-9433-000	Lock bolt	\$2.00
10	AL-8556-000	Release pin	\$2.00
11	AL-9506-800	Cylinder cap assembly	\$12.00
12	AL-9779-000	Flat washer	\$1.00
13	AL-9435-000	"E" Ring (Pkg. of 50)	\$10.00
14	AL-9446-000	Retarding spring	\$1.00
15	AL-9424-000	Spring guide	\$1.00
16	AL-8558-000	Release spring	\$1.00
17	AL-8559-000	Slide plate/Postal bar	\$5.00
18	AL-9438-003	Latch Spring/Pawl spring	\$1.00
19	AL-9714-000	Latch pawl washer	\$1.00
20	AL-9434-001	Latch pawl (no tab)/Coin feeler gauge	\$2.00
21	AL-9445-000	Latch pawl bushing	\$1.00
22	AL-8551-800	Front plate assembly	\$18.00
23	AL-8012-800	Patron housing	\$5.00
24	AL-8011-801	Patron cylinder and key	\$25.00
	AL-8011-801-11	Patron cylinder and key w/ cotter pin attached	\$26.00
	AL-8011-801-09	Patron cylinder and key w/ postal tag assembly	\$27.50
25	AL-9288-001	Speed nut fastener (Pkg. of 50)	\$10.00
26	AL-9289-001	Washer (Pkg. of 50)	\$6.00
27	5-78	Postal tag with insert	\$7.00
28	AL-9287-002	Cotter pin (Pkg. of 25)	\$10.00
30	AL-7774-000	Postal tag insert (Pkg. of 25)	\$8.00
Assembly	45BP-09 45BP	Postal Lock w/ tag	\$75.00



# 45BP Postal Lock Assembly



All requests for service and parts should be sent to:

**American Locker**

700 Freeport Parkway., Ste. 300

Coppell, TX 75019

Service Center Hotline Phone Number: 800/323-9428

Fax 716/699-2488

E-mail: [info@americanlocker.com](mailto:info@americanlocker.com)

**PRICES SUBJECT TO CHANGE WITHOUT PRIOR NOTICE  
AND F.O.B. SHIPPING POINT**

Minimum Billing \$F€€00

[www.americanlocker.com](http://www.americanlocker.com)





Acct #
Order #

**PURCHASE ORDER & CREDIT CARD AUTHORIZATION FORM**

Phone #: \_\_\_\_\_ Fax #: \_\_\_\_\_

Company Name: \_\_\_\_\_

Name on Credit Card: \_\_\_\_\_

Credit Card #: \_\_\_\_\_ Visa \_\_\_ MasterCard \_\_\_ Amex \_\_\_

Exp. Date: \_\_\_\_\_ Total Amount \$: \_\_\_\_\_ Signature: \_\_\_\_\_

Email Address: \_\_\_\_\_

Qty	Item Number	Description	Unit Price	Total
Billing Address:		Ship To Address: <input type="checkbox"/> (Check if same as bill to)		
Numbering:			<b>Sub-Total</b>	
Color:			<b>Sales Tax or Tax ID #</b>	
Lock:			<b>Shipping/Handling</b>	
Additional Comments:			<b>TOTAL</b>	

\*WE ACCEPT CREDIT CARDS (VISA, MASTERCARD OR AMERICAN EXPRESS) OR CHECKS ONLY.  
 \*IF CHECK, YOU MUST MAIL YOUR CHECK TOGETHER WITH YOUR ORDER.  
 \*ALL CLAIMS MUST BE MADE WITHIN 10 DAYS. NO GOODS WILL BE RETURNED WITHOUT A RETURN AUTHORIZATION NUMBER FROM THE MANUFACTURER. ALL RETURNS MUST BE FREIGHT PRE-PAID AND ARE SUBJECT TO A 15%  
**\$100.00 MINIMUM BILLING**

Mailing Address: PO Box 169 Coppell, TX 75019 (800) 828-9118 (817)722-0150 (817)481-3993 Fax  
 Physical Address: 700 Freeport Pkwy, Suite 300, Coppell, TX 75019